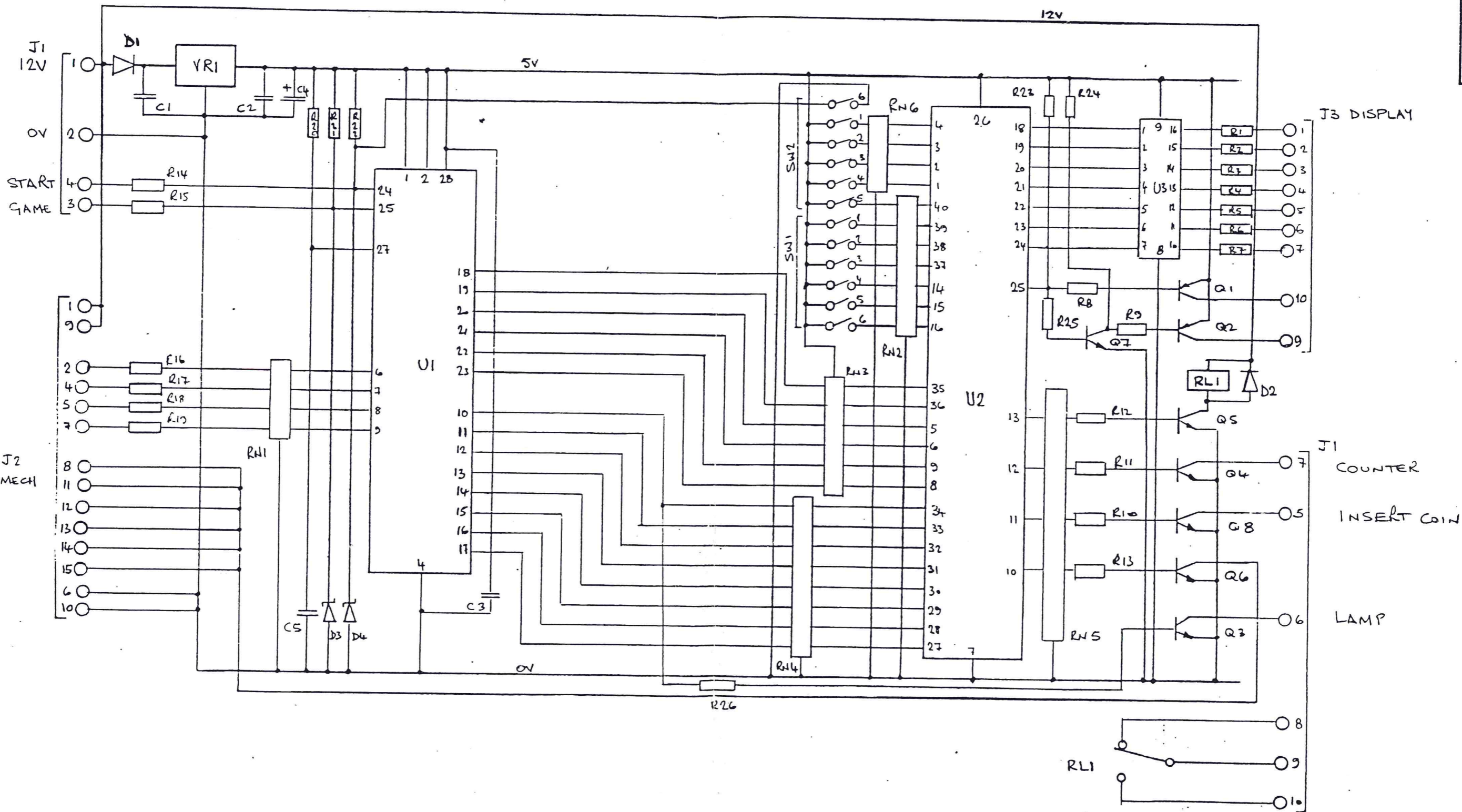


IMPORTANT
 PLEASE DESTROY ALL
 PREVIOUS COPIES OF THIS
 DRAWING, AND ISSUE THE
 LATEST REVISION.

ISS. 2
 DATE 7, 5, 92
 COMPLIED
 DATE

| ISSUE | DESCRIPTION | APPD. | DATE | DEV | TITLE | DRAWN | TRACED | CHECKED | APPROVED | DATE |
|-------|---|-------|--------|--------|--------------------------------|-------|--------|---------|----------|---------|
| 2 | VOLTAGE VALUE FROM MAINS SUPPLY REMOVED | BW | 7-5-92 | SHOP.F | 'CRAZY CLOWN' WIRING SCHEMATIC | DB | | | | 4-10-90 |

DRAWING No. HLCL-1933-B



| ISSUE | DESCRIPTION | APPD. | DATE | TITLE | DRAWN | TRACED | CHECKED | APPROVED | DATE |
|-------|------------------------|-------|------|------------|--------------------|--------|---------|----------|---------|
| 0 | ISSUED FOR MANUFACTURE | AMH | 7.90 | CREDITBOSS | AMH | | | | 20.7.90 |
| | | | | | DRAWING No. FLOO12 | | | | |